

fosera TV 110

digital 15.6" 12 V

User Manual



1.	INTRODUCTION	4
1.1.	CAUTION	4
1.2.	COMMON SHORTCUTS	5
1.3.	REMOTE CONTROL	7
1.4.	VIEWING THE CONTROL PANEL	8
1.5.	EXTERNAL SCHEMATIC	9
2.	SETUP	10
2.1.	CONNECTING TO THE TV-SIGNAL INPUT	10
2.2.	INSTALLATION GUIDE	10
3.	MENU	13
3.1.	INPUT SOURCE	13
3.2.	PICTURE	13
3.2.1.	PICTURE MODE	14
3.2.2.	CONTRAST	14
3.2.3.	BRIGHTNESS	14
3.2.4.	COLOR	14
3.2.5.	SHARPNESS	14
3.2.6.	TINT	14
3.2.7.	COLOR TEMPERATURE	14
3.2.8.	ASPECT RATIO	14
3.2.9.	NOISE REDUCTION	14
3.3.	SOUND MENU	14
3.3.1.	SOUND MODE	15
3.3.2.	TREBLE	15
3.3.3.	BASS	15
3.3.4.	BALANCE	15
3.3.5.	AUTO VOLUME (AVL)	15
3.3.6.	SURROUND SOUND	15
3.3.7.	EQ	15
3.4.	CHANNEL MENU	15
3.4.1.	Channel Management	16
3.4.2.	Favorite Management	16
3.4.3.	Country	16
3.4.4.	TV connection	16
3.4.5.	Auto Search	16
3.4.6.	Digital Manual Search	16
3.4.7.	Analogue Manual Search	16
3.5.	FEATURE MENU	16
3.6.	SETUP MENU	17
3.6.1.	OSD Timer	17
3.6.2.	3D Timer	17
3.6.3.	Auto SCART	17
3.6.4.	PC Setup	17
3.6.5.	Blue Screen	17
3.6.6.	Home Mode	17
3.6.7.	Reset TV Setting	17
3.6.8.	Software Upgrade	17

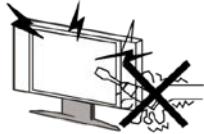
4.	USB Multimedia	18
4.1.	PHOTO PLAYER.....	18
4.2.	MUSIC PLAYER.....	19
4.3.	MOVIE PLAYER.....	19
4.4.	TEXT PLAYER	19
5.	TROUBLESHOOTING	20
6.	SAFETY INFORMATION.....	21
7.	RECYCLING	22
8.	CONTACT	23
9.	WARRANTIES	23

1. INTRODUCTION

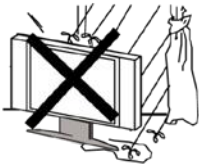
Thank you for buying our TV. Please read this manual carefully.

1.1. CAUTION

To avoid the risk of electric shock, do not remove the back cover of the TV.



To prevent fire or electrical shock, do not expose the main unit to rain or moisture.

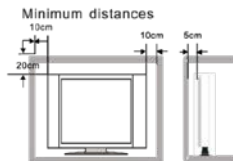


Please also do not:

- Drop or put an object on the TV
- Spill liquid on the TV
- Put the TV on a bed, soft, rug, wool or any other similar surfaces
- Place the TV too close to curtains/ walls, inside a shelf or any other closed places which may cause poor ventilation.



Please note that minimum distances must be maintained for ventilation.



The TV should be placed where children are unable to stand on or push the unit.



Put the TV set on a stable stand, strong enough to carry it.



When the product is not in use, it is advisable to unplug it from the power outlet to save energy.



Avoid direct sunshine or other heat source onto the unit.



Avoid any impact with blows on the screen.



Please clean the TV regularly with a cloth. Never use harsh or abrasive chemicals or solvents on the equipment.

1.2. COMMEN SHORTCUTS

Standby function:

When your TV is running, press “Power” to enter standby mode. When your TV is in standby mode, press “Power” to start it.

Sleep function:

When your TV is running, press “Sleep” to enter sleep mode. This function allows you to turn off the TV for a period of time. The supported time periods are: Off, 10 Mins, 20 Mins, 30 Mins, 60 Mins, 90 Mins, 120 Mins, 180 Mins, 240 Mins,

Switching the input source:

After the normal startup process, press the button “source”, then the button “up/down” to choose the preferred source, and the button “enter” or “->”.

Info function:

Information of the current source will be shown when pressing down the button “info”, number, color system, sound system, (in TV source), current frequency, bandwidth, event information, etc (in DTV source)

Mute function:

The sound will be muted when pressing the button “mute”, and unmuted with another press on it.

Resolution of picture:

Parameters of the displayed picture, like luminance, contrast, sharpness, hue, color, can be changed when pressing “PMODE”.

Sound:

Parameters of the sound, like balance, max volume, min volume, will be changed when pressing “SMODE”.

NICAM:

Switch on/off sound effect or switch between Mono, Dual I/Dual II by pressing “MTS/DUAL” on TV or DTV source.

Aspect ratio:

Aspect ratio will be changed when pressing “PSIZE”.

Numeric buttons:

When in TV or DTV source, it's a shortcut to change to the preferred channel pressing the numeric buttons.

Channel Swap:

You can change the channel back to the to the last selected channel by pressing “ChannelSwap”.

Volume:

Volume can be adjusted by pressing “Vol +/-”.

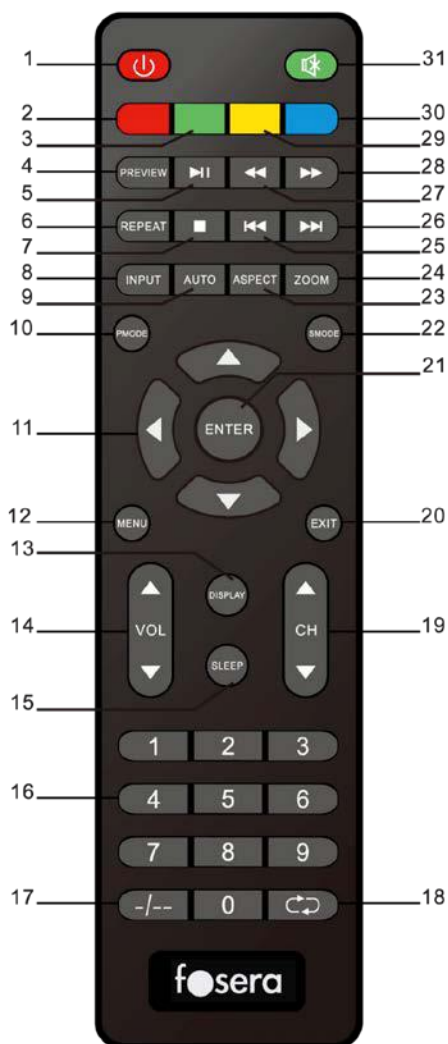
Channel Switch:

Switch the channel by pressing “CH-/+”.

EPG:

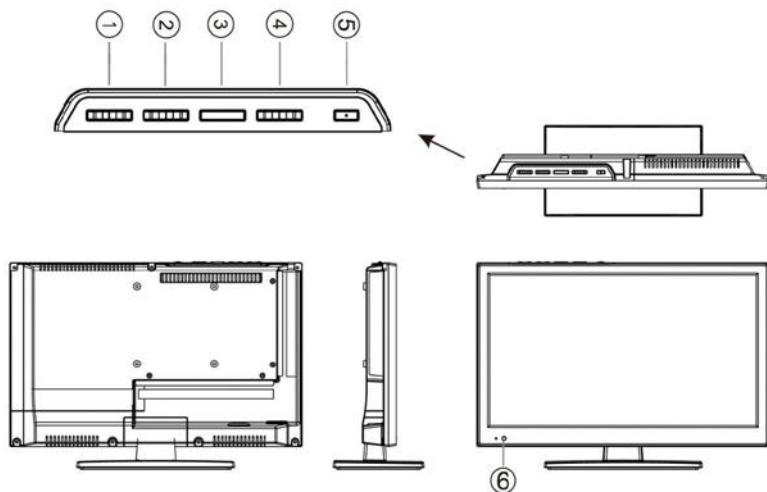
In DTV source, EPG menu will pop up when pressing down the button “EPG”.

1.3. REMOTE CONTROL



- 1) POWER
- 2) RED
- 3) GREEN
- 4) PREVIEW
- 5) PLAY/PAUSE
- 6) REPEAT
- 7) STOP
- 8) INPUT
- 9) AUTO
- 10) PMODE
- 11) CURSOR
- 12) MENU
- 13) DISPLAY
- 14) VOL+/-
- 15) SLEEP
- 16) NUMERIC KEY
- 17) -/--
- 18) ↺ ↻
- 19) CH+/-
- 20) EXIT
- 21) ENTER
- 22) SMODE
- 23) ASPECT
- 24) ZOOM
- 25) PREV
- 26) NEXT
- 27) REV
- 28) FWD
- 29) YELLOW
- 30) BLUE
- 31) MUTE

1.4. VIEWING THE CONTROL PANEL



1. VOL+/VOL- BUTTON

Press to decrease or increase the volume. Also used to select items on the on-screen menu.

2. CH+/CH- BUTTON

Press to change channels or to highlight various items on the on-screen menu.

3. MENU BUTTON

Press to see an on-screen menu.

4. SOURCE BUTTON

Displays a menu of all the available input sources (TV, VIDEO, S-VIDEO, PC).

You can also use the SOURCE button on the TV's control panel to make selections.

5. POWER BUTTON

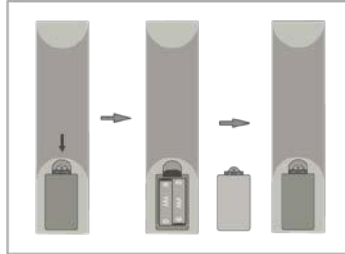
Press to turn the TV on/off. Blinks and turns off when the power is on and lights up in standby mode. Light Detecting sensor adjusts brightness of screen automatically by detecting brightness of the surrounding environment. This sensor works when the Brightness sensor is on.

6. REMOTE SENSOR

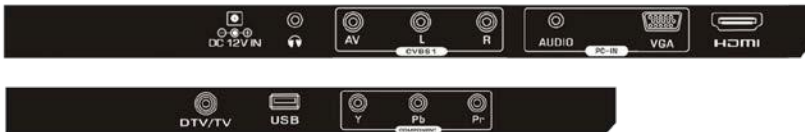
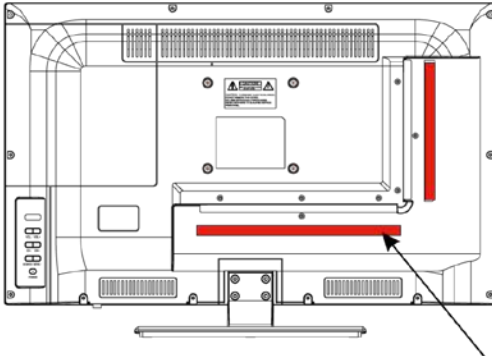
Receives signals from the remote control. Power indicator: blue light when the TV is on, red light when the TV is in standby.

1.5. EXTERNAL SCHEMATIC

1. Insert two AAA batteries with polarities matching the mark inside the battery compartment.
2. Point the remote control towards the IR sensor on the TV. The remote control may not work if it is being blocked by an object.
3. Replace the battery once the remote control is no longer working.
4. If the remote control is not being used, please remove the batteries.



BACK PANEL



2. SETUP

2.1. CONNECTING TO THE TV-SIGNAL INPUT

Connect the TV signal cable (the antenna cable for example) to the Antenna Input Jack on the back of the unit so that you can receive television programmes.

Then, turn on the power of the unit and press the INPUT button to select TV or DTV mode and conduct program selection.

Note:

Whether and how many DVB-T2 channels can be received by this device is strongly depending on the operational place, and the DVB-T2 signal strength in this area.

DVB-T2 radio in particular is very limited and not available in most locations.

Please note that for the use of DVB-T2 after each larger local change a new channel search should be done.

Programs which are signed with “internet” cannot be utilized.

2.2. INSTALLATION GUIDE

The First Time Setup screen will appear when the TV is switched for the first time or after a reset to the factory setting.



1. Press the ▲▼ buttons to navigate the menu and the ◀▶ buttons to change the settings. Select your desired Energy Mode, Home/Store Mode to be displayed on the menu. Confirm with OK.

Note:

- a. Home Mode is an energy-saving mode. It is recommended for normal viewing setting.
- b. Shop Mode is an option for retailers for advertising or product presentation. Shop Mode has a brighter image than Home Mode, and can also pop up a pop menu every 30 seconds.
- c. You may switch between Home or Shop Mode. If you choose Shop Mode, it will enter HDMI1 source automatically and press EXIT key to exit POP menu.

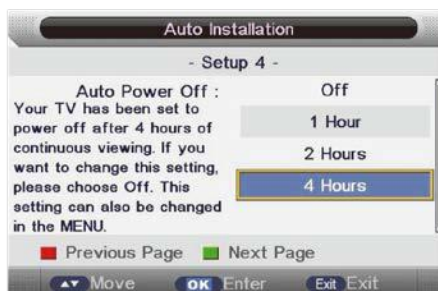
2. Select with the ▲▼ buttons the desired country. Confirm with OK.



3. Select the language with the ▲▼ buttons. Confirm with OK.



4. With the ▲▼ buttons you can select the automatic TV shutdown time. Confirm with OK.



5. Select DVB-T or DVB-C (Cable) with the ▲▼ buttons. Confirm with OK.



6. Now Channel Tuning is running. This operation may take a little bit. With EXIT you can skip the Channel Tuning.

In the UK, you will require the appropriate cable TV's company's "set top box" to be connected to the TV. Please refer to the TV's instructions manual for further details. If you select DVB-C, you will select Full or Quick way to scan.

You can also select Auto Scan mode. DTV+ATV or DTV only, or ATV only.

Note:

DTV	Digital TV (DVB-T and DVB-T2)
ATV	Analogue TV (not used in the UK)
DTV-C	Digital TV via cable

Note:

The channel order which will be displayed after the channel tuning is based on the requirements of your DVB provider. To sort channels manually, these settings must be deactivated in the CHANNEL menu.

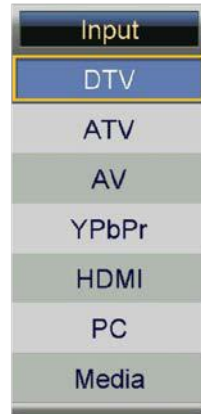
3. MENU

3.1. INPUT SOURCE

- Press the INPUT button to display the menu.
- Press ▲▼ buttons to select the required mode.
- Press the OK button to confirm.

This LED TV includes the following 7 modes.

- DTV: DIGITAL TV MODE
- ATV: ANALOG TV MODE
- AV: VIDEO/AUDIO INPUT MODE
- YPbPr: YPbPr INPUT MODE
- HDMI: HDMI SIGNAL INPUT MODE
- PC: PC MONITOR INPUT MODE
- Media: USB MEDIA INPUT MODE



3.2. PICTURE



The first item of the MENU is the PICTURE MENU. Picture effects, like contrast or brightness can be adjusted.

- Press ▲▼ button to select PICTURE in the main menu.
- Press ►/ENTER(OK) button to enter sub-menu.
- Press ▲▼ button to select the option that you want to adjust in the PICTURE menu.
- Press ◀▶ button to adjust.
- When you are satisfied with your adjustment, press the MENU on the remote or the EXIT button to return to the previous menu.

3.2.1. PICTURE MODE

The picture mode can be selected with ▲▼ buttons. Available picture modes: User/Mild/Standard/Dynamic.

3.2.2. CONTRAST

Press ▲▼ button then use ◀▶ button to adjust the contrast of the picture.

3.2.3. BRIGHTNESS

Press ▲▼ button then use ◀▶ button to adjust the brightness of the picture. After adjusting the value you want, press MENU button to return to the preview MENU.

3.2.4. COLOR

Press ▲▼ button then use ◀▶ button to adjust the color saturation.

3.2.5. SHARPNESS

Press ▲▼ button then use ◀▶ button to adjust the sharpness of your TV. The suitable sharpness can make the picture look more clearer.

3.2.6. TINT

Press ▲▼ button then use ◀▶ button to select the Tint (NTSC Optional).

3.2.7. COLOR TEMPERATURE

Press ▲▼ button then use ◀▶ button to adjust the optimum color temperature mode. The picture looks brighter when the color temperature is higher.

3.2.8. ASPECT RATIO

Aspect ratio for the display.

3.2.9. NOISE REDUCTION

Noise reduction of the picture. To reduce noise and improve the appearance of the picture (only for TV Source available).

3.3. SOUND MENU



The second item of the MENU is the SOUND MENU. You can adjust the sound effect here such as bass, treble, balance, etc.

- Press ▲▼ button to select SOUND in the main menu.
- Press ▶/ENTER(OK) button to enter sub-menu.
- Press ▲▼ button to select the option that you want to adjust in the SOUND menu.
- Press ◀▶ button to adjust.

e. When you are satisfied with your adjustment, press the MENU on the remote or the EXIT button to return to the previous menu.

3.3.1. SOUND MODE

Sound mode can be adjusted with ◀▶ buttons:

Sound modes available: Standard, Music, Movie, Sports, User.

Tip: You can press SMODE button repeatedly on the remote control to select the Sound Mode directly.

3.3.2. TREBLE

Press ▲▼ button then use ◀▶ button to increase or decrease the level of the higher-pitched sounds.

3.3.3. BASS

Press ▲▼ button then use ◀▶ button to increase or decrease the level of the lower-pitched sounds.

3.3.4. BALANCE

Press ▲▼ button then use ◀▶ button to adjust the audio output between left and right speakers.

3.3.5. AUTO VOLUME (AVL)

Press On/Off by using ◀▶.

3.3.6. SURROUND SOUND

Press Off/Surround/TruSurround by using ◀▶.

3.3.7. EQ

Press ◀▶ button, select 120 Hz/500 Hz/1.5 KHz/5 KHz/10 KHz.

3.4. CHANNEL MENU



Press MENU button on the front panel or MENU on the remote control to display the main menu.

a. Press ▲▼ button to select CHANNEL in the main menu.

b. Press ▶/ENTER(OK) button to enter sub-menu.

c. Press ▲▼ button to select the option that you want to adjust in the CHANNEL menu.

d. Press ◀▶ button to adjust.

e. When you are satisfied with your adjustment, press the MENU on the remote or the EXIT button to return to the previous menu.

3.4.1. Channel Management:

To manage (Delete/Rename/Swap/Lock/Skip) all channels;

3.4.2. Favorite Management:

To manage (Add/Delete) Favorite channels;

3.4.3. Country:

To select country.

3.4.4. TV connection:

To select the DTV signal mode(Air/Cable)

3.4.5. Auto Search:

To select auto search mode (All/Digital/Analogue);

3.4.6. Digital Manual Search:

To search digital channel by entering parameters manually(only for Air/Cable);

3.4.7. Analogue Manual Search:

To search analogue channel by entering parameters manually(only for ATV);

3.5. FEATURE MENU



Press MENU button on the front panel or MENU on the remote control to display the main menu.

- Press ▲▼ button to select OPTION in the main menu.
- Press ►/ENTER(OK) button to enter sub-menu.
- Press ▲▼ button to select the option that you want to adjust in the OPTION menu.
- Press ◀▶ button to adjust.
- When you are satisfied with your adjustment, press the MENU on the remote or the EXIT button to return to the previous menu.

3.6. SETUP MENU



This chapter will describe the function of Setup in mainmenu. The Setup Menu is shown as follows:

Press MENU button on the front panel or MENU on the remote control to display the main menu.

- Press ▲▼ button to select SETUP in the main menu.
- Press ►/ENTER(OK) button to enter sub-menu.
- Press ▲▼ button to select the option that you want to adjust in the SETUP menu.
- Press ◀▶ button to adjust.
- When you are satisfied with your adjustment, press the MENU on the remote or the EXIT button to return to the previous menu.

3.6.1. OSD Timer

Automatic fade out of OSD menu (5, 10, 15, 20, 25, 30 Seconds, Never)

3.6.2. 3D Timer

(Off, 0.5, 1, 1.5, 2, Hour)

3.6.3. Auto SCART

Off/On

3.6.4. PC Setup

ENTER

3.6.5. Blue Screen

Off/On

3.6.6. Home Mode

Home/Dynamic/Standard/Mild

3.6.7. Reset TV Setting

Reset all settings.

3.6.8. Software Upgrade

This option allows you to update the software. Press ▲▼ to select Setup, confirm with OK button and select the item Software Upgrade with ▲▼. Then press the OK button and you will start the upgrade with

4. USB Multimedia

MAIN MENU

You can display the input source menu by pressing the SOURCE on the remote control or TV/AV on the front panel, press ▲ ▼ key to select MEDIA, press “ENTER” or “▶” key to confirm.

Press ◀▶ key to navigate to different selections. And the relevant selection will be highlighted.



4.1. PHOTO PLAYER



During highlighting JPEG, press the ◀▶ key to switch to the JPEG menu.

Press ENTER or OK to navigate and preview the pictures.

Press ▶|| key when highlighting one picture. It will display the whole picture and start slide show.

Press EXIT key to return to the Photo clips menu.

Press SOURCE key to return to the Main menu.

4.2. MUSIC PLAYER



- a. The user can play music files via the Music player. Press ▲▼ or ◀▶ to browse files and select the desired one.
 - b. Press ►II key to play, then the player interface will display on the screen.
- While the music is playing, you can operate as below:
- c. Press ▲▼ to play the previous/next file.
 - d. Press VOL ◀▶ buttons to control the volume.
 - e. Press ►II button to play/pause the music.
 - f. Press I◀◀/▶▶I buttons to fast backward/forward.

4.3. MOVIE PLAYER



- The user can play movie files via the Movie player. Press ▲▼◀▶ to select the files and press ENTER to play.
- a. Press ▲▼◀▶ to browse files, then select the desired one.
 - b. Press ENTER to play, then the player interface will display on the screen.
- While the movie is playing, you can operate as below:
- c. Press ▲▼ to play the previous/next file.
 - d. Press VOL ◀▶ buttons to control the volume.
 - e. Press ►II button to play/pause the movie.
 - f. Press I◀◀/▶▶I buttons to fast backward/forward.

4.4. TEXT PLAYER



- The user can play text files via the Text player. Press ▲▼◀▶ to select the files and press ENTER to play.
- a. Press ▲▼◀▶ to browse files, then select the desired one.
 - b. Press ENTER to play, then the player interface will display on the screen.
 - c. Press ▲▼ to play the previous/next file.
 - d. Press EXIT button to return to the upper menu.

5. TROUBLESHOOTING

Problems	Check
No picture	Check if the power is plugged in . Check if the Power switch is in “ on “ position
No sound	Check if the volume is set to minimum or mute position
Noise sound	Make the transfer of any contagious generates IR away from the television.
Remote control not working	Check if the batteries are working Check if anything is blocking the sensor .
NO TV signal	Check if the TV/AV is set to TV . Check if the antenna is connected Check if the TV is installed correctly
Picture too light or dark	Adjust Colour ,brightness ,Contrast .
lose colour / snow /ghost images	Check if Antenna is broken/disconnected/damaged .
Poor reception	Adjust “ fine tuning”
Stripes on Picture	Check if there is interference from other broadcasting sources .

6. SAFETY INFORMATION



The lightning flash with arrowhead symbol, within an equilateral triangle, is intended to alert the user to the presence of un-insulated "dangerous voltage" within the product's enclosure that may be of sufficient magnitude to constitute a risk of electric shock to persons.



The exclamation point within an equilateral triangle is intended to alert the user to the presence of important operating and maintenance (servicing) instructions in the literature accompanying the appliance.



Correct disposal of this Product
Waste Electrical & Electronic Equipment (WEEE)

The crossed out "Wheeled bin" is intended to show that this appliance must not be placed with ordinary household waste at the end of its useful life. To prevent possible harm to the environment or human health from uncontrolled waste disposal, please keep separate from other household waste and recycle it responsibly to promote the sustainable reuse of material resources.

Household users should contact either the retailer where you purchased the product, or their local government office for details of where and how you can take this item for environmentally safe re-cycling.

Environment:

Working temperature: 5°C~35°C

Working humidity: 20%~80%

Storage temperature: -15°C~45°C

Storage humidity: 10%~90%

System: PAL / SECAM

Status displaying method: On screen display

Function adjustment indicator: Menu display

RF aerial input: 75 ohm unbalanced

AV video input: 75 ohm, 1.0Vp-p, RCA

AV audio input: 10k ohm, 0.5Vrms

7. RECYCLING

Do not throw any of the components or the controller box into trash when discarding. To minimize pollution and to protect the global environment, please recycle -all components used to manufacture the system are recyclable. For more information on the Waste from Electrical and Electronics Equipment (WEEE) regulations, please visit the following website:

http://ec.europa.eu/environment/waste/wEEE/index_en.htm



8. CONTACT

Headquarter

Local Retailer

fosera GmbH & Co. KGaA
Beim Mühlbach 3
89171 Illerkirchberg
Germany

Tel: +49 7346 92469 73

Fax: +49 7346 92469 75

e-mail: info@fosera.com

Visit our website: www.fosera.com

9. WARRANTIES

We trust in the quality of our products. The fosera TV 110 - digital 15.6" 12V comes with a one year warranty. During this period we guarantee that our products are free from defects in material or workman-ship.

Please contact your dealer or local fosera sales agent if you experience any problems with the product. Your local dealer will then assess the defect and decide whether the product can be repaired, replaced or refunded.

Fosera shall not be responsible for any consequential damage or damage that exceeds the value of the product. A warranty repair does not extend the warranty period.

The warranty becomes invalid if the device is used other than intended by the manufacturer or improper use. This warranty does not cover failures caused by wrong installation, set up or unusual use. The warranty is also void in case of repairs by any unauthorized or untrained person. The warranty does not cover batteries and other parts, which are considered consumables.

Warranty Card

Name of the product:

Date/Place of purchase:

Name and Contact of local retailer:

For support, please contact your local supplier or service@fosera.com